

Pressure Can Pump

PCP-a135

PCP-a135

A can pressure pump to transfer the compressed high viscosity fluid material in 1, 3, 5kg can.



When using high-viscosity fluid in can, dispensing with a appropriate flow rate without creating micro bubbles in the fluid is the key to improve productivity and minimize loss.

Banseok`s Can Pump has been proven its` stability sustainability and convenience for 30 years in field.

POINT 01

No Inconvenience

No loss or inconvenience of transferring of materials as wiper makes it possible to dispense in close contact with the can that carries high viscosity materials.



POINT 02

Various pressure transmitting ratio

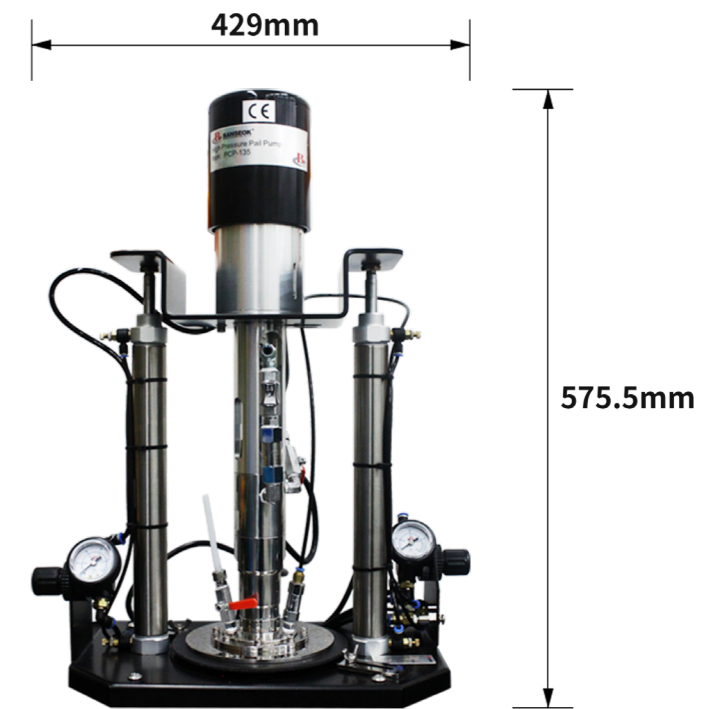
Dispensing operation of high viscosity materials of 10,000 ~ 600,000cps without pulsation based on various pressure transmitting ratio.



POINT 03

Light type design

Convenience installing and operating condition based on small size and type design.



POINT 04

No mixed bubbles, No material loss

No bubbles generated or no mixing with impurities.





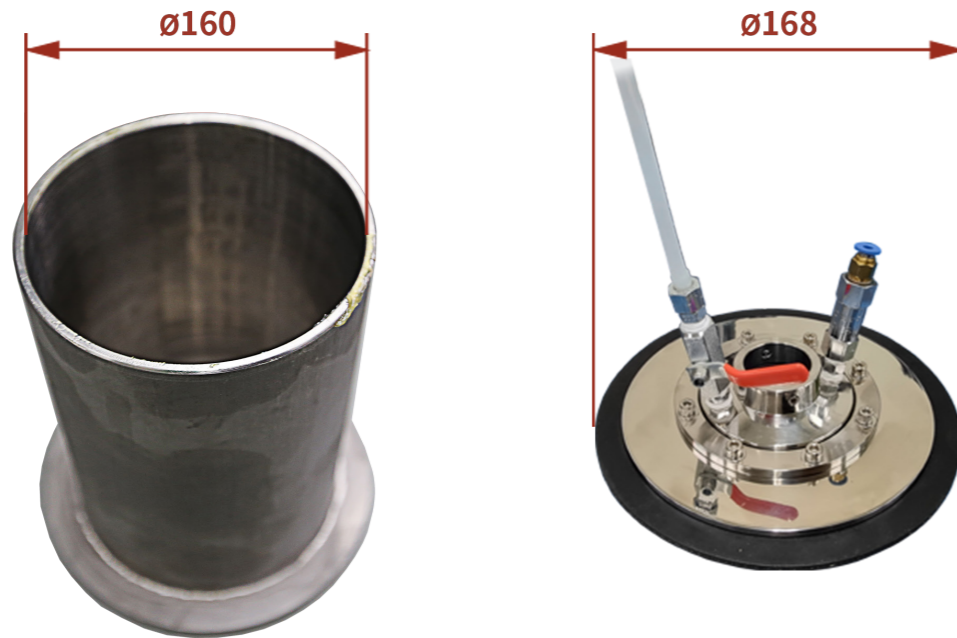
Must read before purchasing ①

Since the rubber plate is the part that touches the can, the size of the rubber plate must match the inner diameter of the can.

The rubber plate must be at least 2~4mm(in radius) larger than the inner diameter of the can.

Example

When the inner diameter of the can is $\varnothing 160$, you can select the $\varnothing 168$ mm diameter rubber plate.



Standard Plate Size

Bottom Plate	Rubber Plate	Upper Plate
X	$\varnothing 106$	X
X	$\varnothing 112$	X
X	$\varnothing 117$	$\varnothing 100$
$\varnothing 145$	$\varnothing 168$	$\varnothing 145$
$\varnothing 145$	$\varnothing 171$	$\varnothing 145$
$\varnothing 145 \sim \varnothing 150$	$\varnothing 176$	$\varnothing 145 \sim \varnothing 150$



Must read before purchasing ②

The maximum outer diameter size of cans available is $\varnothing 172$.



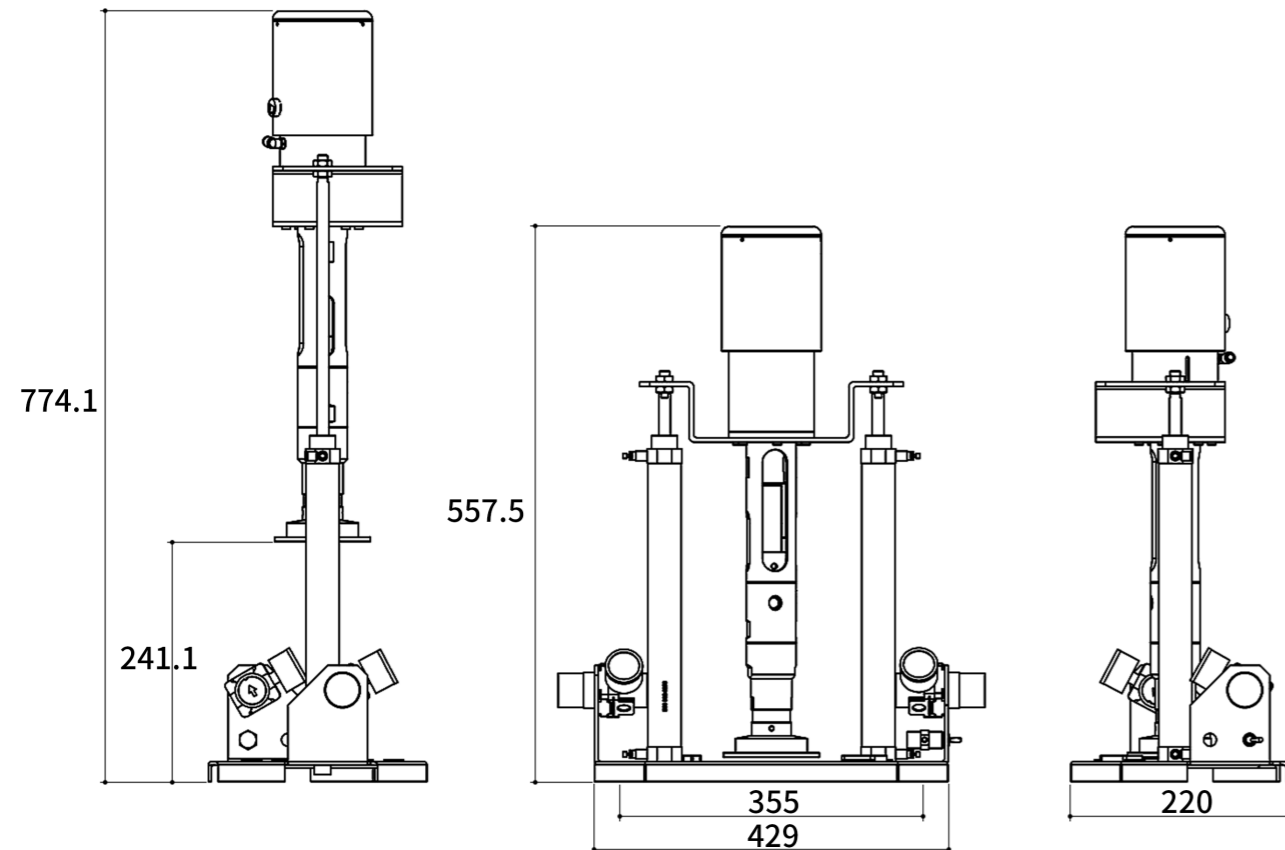
* If it does meet the specifications, it can be made to order.

: Please contact us via email address listed at the bottom or through the website customer center.

Specification

Model	PCP-a135
Pump ratio	10:1, 20:1(For high pressure)
Outlet Fitting	1/8"
Applying Viscosity	10,000 ~ 400,000cps
Air Pressure	1 ~ 7bar
Air Consumption	80ml/min(max)
Applying Container	1, 3, 5kg
Power	AC220V 50/60Hz (110V : Option)

* Unit : mm



HEAD OFFICE/R&D LAB

B101~B104, FORHU, 58, Wangshimni-ro, Seongdong-gu, Seoul, Republic of Korea
TEL. +82-2-469-1239 FAX. +82-2-469-6955

DAEGU BRANCH

305, 3rd Floor, 46, Igokseo-ro, Dalseo-gu, Daegu, Republic of Korea
TEL. +82-10-9263-5910

SHENZHEN BRANCH, CHINA

Room 1306, Mingjun Business Center, No.1 Langrong Road, Dalang Street,
Longhua District, Shenzhen, Guangdong, China
TEL. +86-755-8204-6882 FAX. +86-755-8204-4378

WEBSITE

www.banseok.co.kr

CONTACT

trade@banseok.co.kr(Oversea dept.)