

# Cartridge Pump

## BSP-330S



## BSP-330S

A device to supply high viscosity cartridge-type fluid without exposure to air or loss of materials using a pump pressure.



When using high-viscosity fluid material 330ml standard cartridge, delivering the material with appropriate flow rate without creating micro bubbles is the key for precision dispensing and better productivity.

Banseok's Cartridge Pump has been proven its stability sustainability and convenience for 30 years in field.

**POINT 01**

**High viscosity materials can be conveniently dispensed**

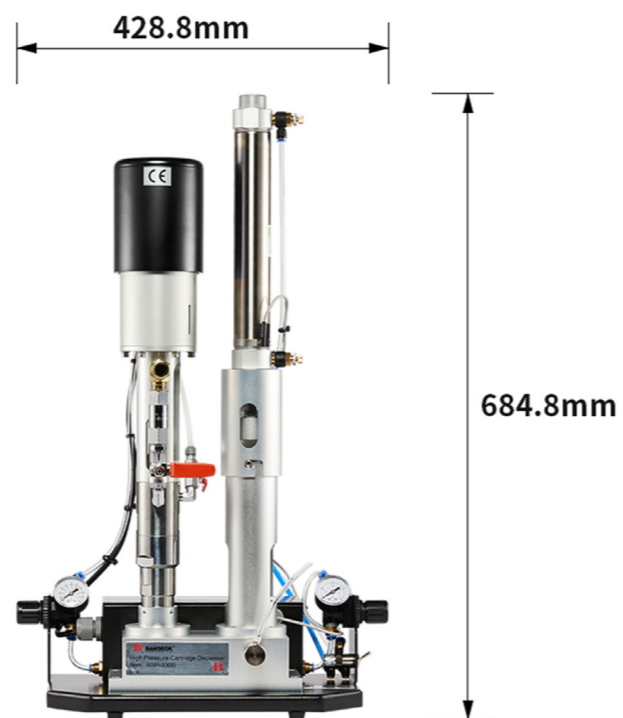
Dispenses high viscosity materials ranging from 10,000 to 1,000,000cps in a fixed amount without mixed bubbles.



**POINT 02**

**Light type design**

Minimizing working space and convenient installing and operating condition based on small size and light type design.

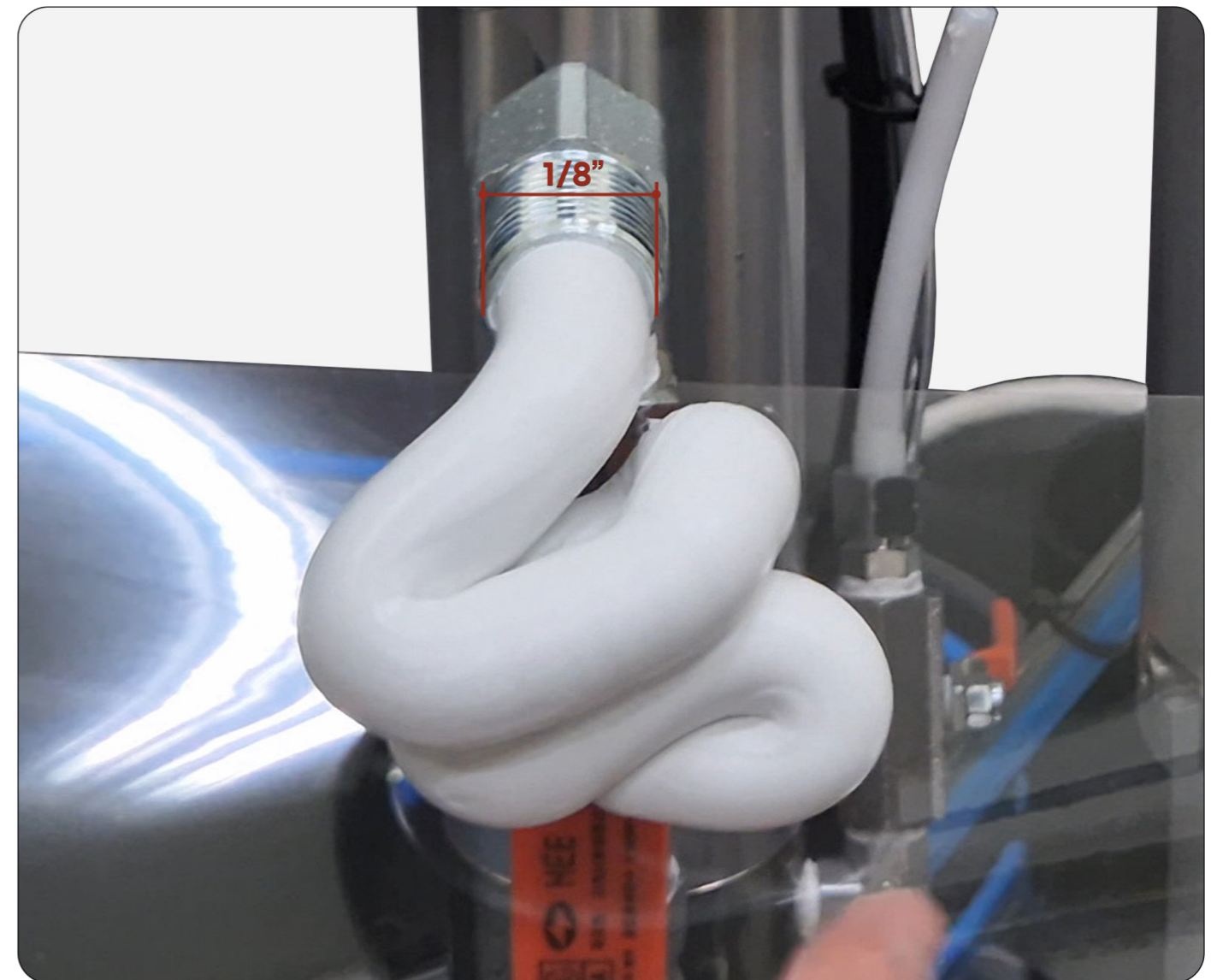


**POINT 03**

**No mixed bubbles, No material loss**

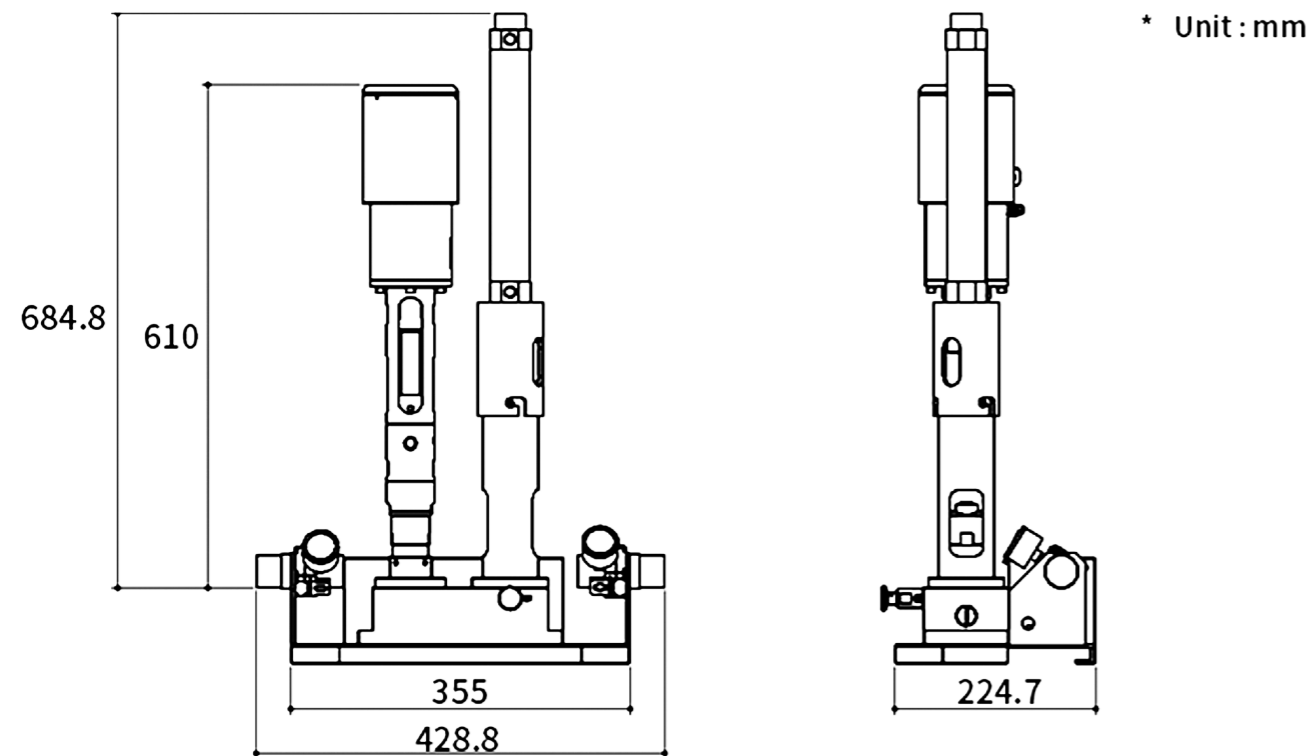
Pumping of high viscosity materials when cylinder pushes the piston within cartridge causes no mixed bubbles or no material loss.

**\* Outlet Fitting : 1/8"**



## Specification

Model	BSP-330S
Air Pressure	Mix. 2kgf/cm <sup>2</sup>
Air Consumption	80ml/min(max)
Pump Sending ratio	10:1, 20:1(For high pressure)
Outlet Fitting	1/8"
Max. dispensing pressure	50kgf/cm <sup>2</sup>
Min. dispensing pressure	0.005cc/shot
Applied viscosity	10,000 ~ 600,000cps
Applied container	300ml, 310ml, 330ml cartridge
Power	AC220V 50/60Hz (110V : Option)



### HEAD OFFICE/R&D LAB

B101~B104, FORHU, 58, Wangshimni-ro, Seongdong-gu, Seoul, Republic of Korea  
 TEL. +82-2-469-1239 FAX. +82-2-469-6955

### DAEGU BRANCH

305, 3rd Floor, 46, Igokseo-ro, Dalseo-gu, Daegu, Republic of Korea  
 TEL. +82-10-9263-5910

### SHENZHEN BRANCH, CHINA

Room 1306, Mingjun Business Center, No.1 Langrong Road, Dalang Street,  
 Longhua District, Shenzhen, Guangdong, China  
 TEL. +86-755-8204-6882 FAX. +86-755-8204-4378

### WEBSITE

[www.banseok.co.kr](http://www.banseok.co.kr)

### CONTACT

[trade@banseok.co.kr](mailto:trade@banseok.co.kr)(Oversea dept.)