

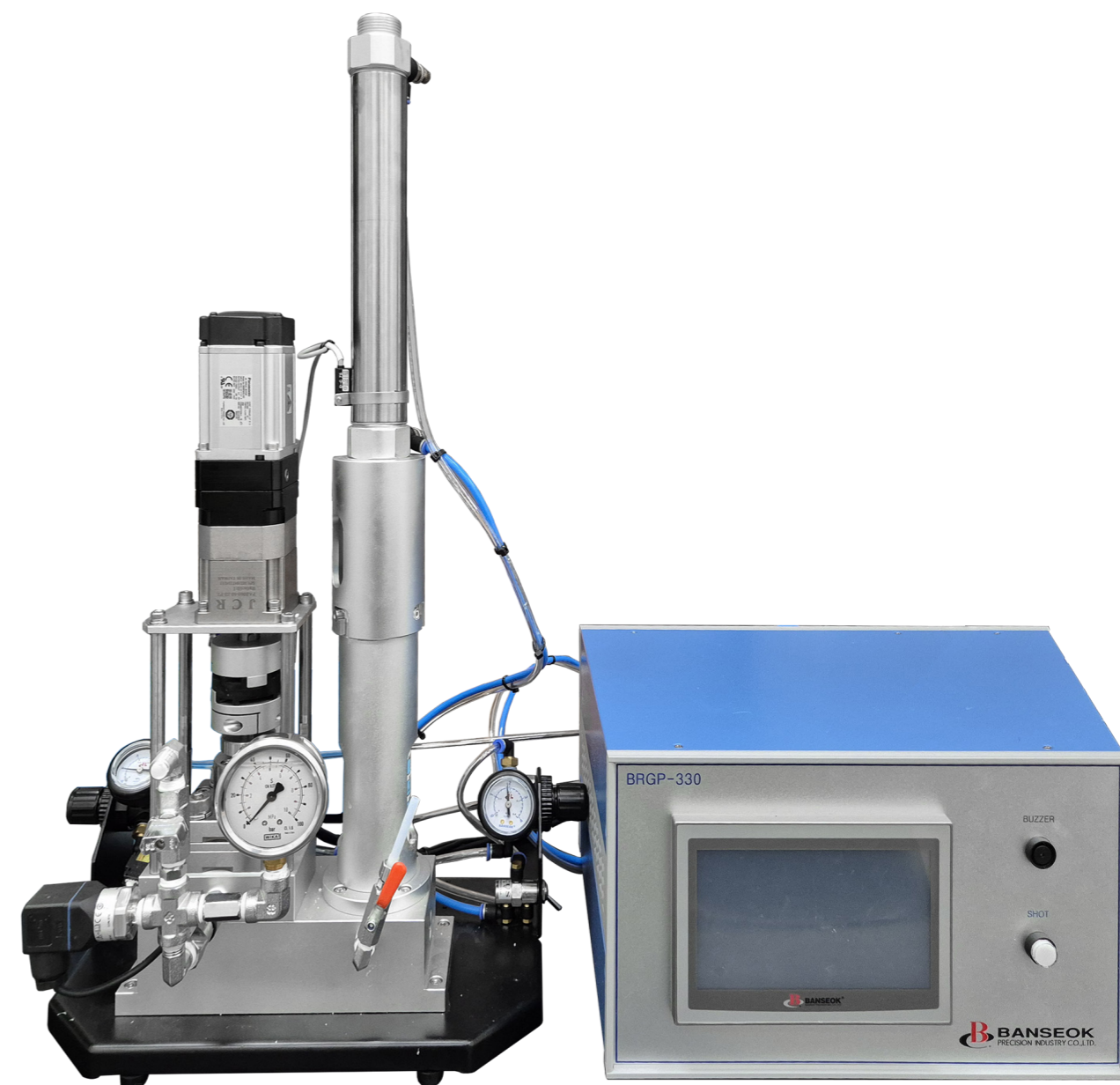
High accurate Cartridge Pump

BRGP



BRGP

The units that can be controlled with a dispensing error of less than 1% by combining Banseok's various & verified with Gear Pump.



When using high-viscosity fluid material 330ml standard cartridge, high viscosity fluid material can be dispensed without loss by controlling the dispensing error to less than 1%.

Banseok's High accurate Cartridge Pump has been proven its`stability, sustainability and convenience for 30 years in field.

POINT 01

Dispensing error of less than 1%

By compounded a gear pump with 330ml cartridge pump, the dispensing amount can be precisely controlled with a dispensing error of less than 1%.



BSP-330S

**Accurate
dispensing
amount**

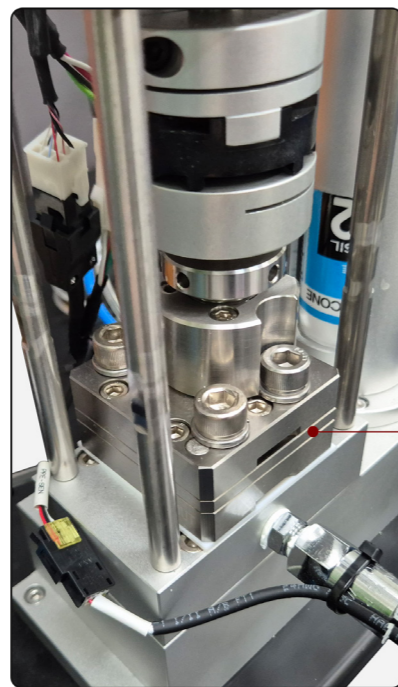


BRGP

POINT 02

Without pulsation

By combining a gear pump, fluids can be dispensing without pulsation.

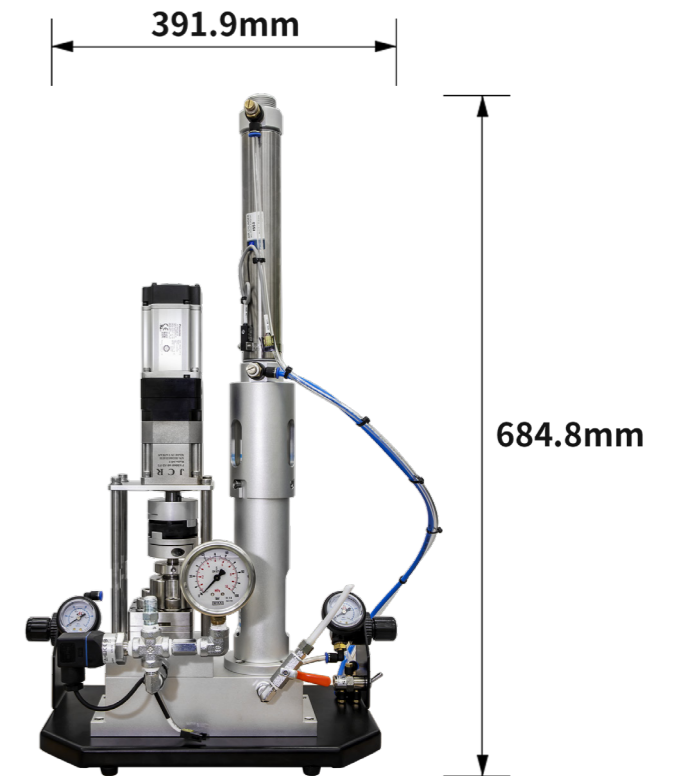


Gear Pump

POINT 03

Light type design

Convenience installing and operating condition based on small size and type design.



POINT 04

No loss of fluid materials

No bubbles generated or no mixing with impurities.



*** Outlet Fitting : 1/8"**



Product option based on viscosity

Option 01

Low Viscosity

(When the viscosity of the fluid used is under 2000cps.)

CC / Rev			
0.025	0.6	2.4	10
0.05	1.0	3.0	15
0.1	1.2	5.0	20
0.2	1.3	6.0	30
0.4	2.0	9.0	

* Tips for selecting product options : $CC/min(\text{Target dispensed amount per minute}) = CC/Rev \times 2$

Option 02

High Viscosity

(When the viscosity of the fluid used is 3,000cps or over.)

CC / Rev			
0.025	0.6	2.4	10
0.05	1.0	3.0	15
0.1	1.2	5.0	20
0.2	1.3	6.0	30
0.4	2.0	9.0	

* Tips for selecting product options : $CC/min(\text{Target dispensed amount per minute}) = CC/Rev \times 2$

Specification

Model	BRGP
Outlet Fitting	1/8"
Inlet Pressure	Max.2Mpa(Max.20kgf/cm ²)
Outlet Pressure	Max.5Mpa(Max.50kgf/cm ²)
Viscosity	10,000 ~ 400,000cps
Precision	±2%
Power Source	AC220V 50/60Hz
Material	Alloy Tool Steel, Stainless Steel, Aluimum

